

KUBUS BETTA 15L

25,5x26,9x31,1cm | 3,7Kg

VOLUME 17L CAPACITY 15L

AQUARIUM DIMENSION WITHOUT LED: 25,5x26,1x25,5cm



Non contractual photos

001 17623



5 607329 176239

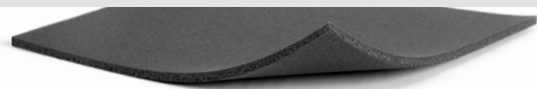
025 21456



5 607329 214566

INCLUDED

Carpet Shock Absorber



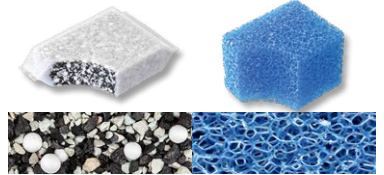
EQUIPMENT INCLUDED

FILTRATION BIO FILTER 200

Internal filters of modular cartridges, developed to be more efficient and environmentally friendly. This new innovative system allows easy maintenance and replacement, making it possible to reuse the biodegradable cover by composting process.



B-BOX FILTER CARTRIDGES PURE WATER S / COARSE FOAM S



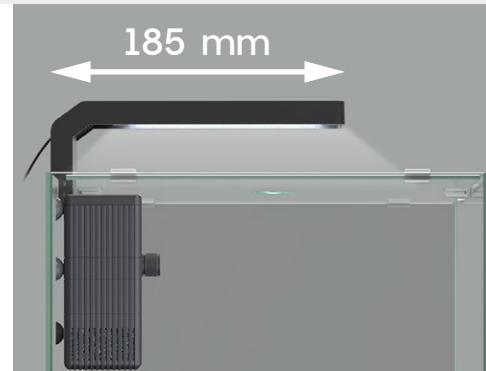
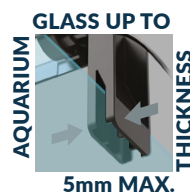
HEATER EASYKLIM 25W



LIGHTING UNIV LED 3

This system emits a balanced light, ideal for photosynthesis being particularly suitable for planted aquariums.

CONSUMPTION ≈ 1W
PROTECTION INDEX IPX8

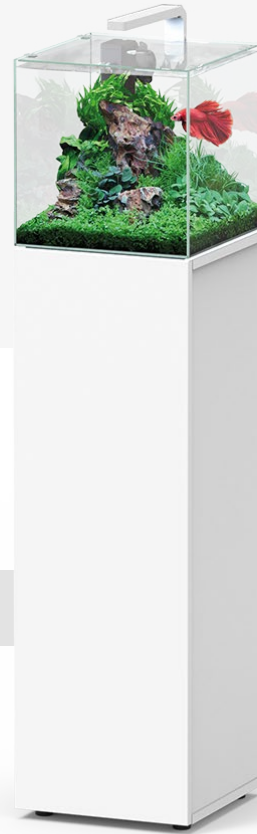




KUBUS BETTA 22L

29x30,4x34,9cm | 5,8Kg | VOLUME 25L CAPACITY 22L

AQUARIUM DIMENSION WITHOUT LED: 29x29,8x29cm



Non contractual photos



NOT INCLUDED - Optional CABINET

29,2x30x90cm | 12,4Kg | MAX. LOAD 35Kg



INCLUDED

Carpet Shock Absorber



EQUIPMENT INCLUDED

FILTRATION BIO FILTER 200

Internal filters of modular cartridges, developed to be more efficient and environmentally friendly. This new innovative system allows easy maintenance and replacement, making it possible to reuse the biodegradable cover by composting process.



B-BOX FILTER CARTRIDGES PURE WATER S / COARSE FOAM S



HEATER EASYKLIM 25W



LIGHTING UNIV LED 24

This system emits a balanced light, ideal for photosynthesis being particularly suitable for planted aquariums.

CONSUMPTION ≈ 8W
PROTECTION INDEX IPX8

