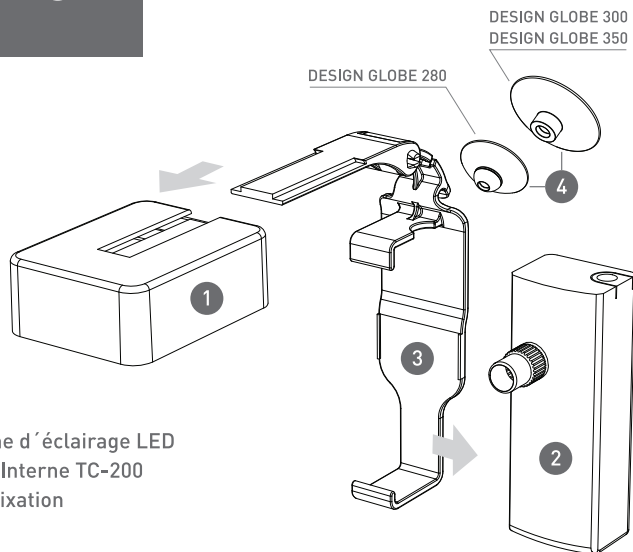


# OPERATING MANUAL

## Manuel d'utilisation

# LED

## LIGHTING SYSTEM With Internal Filter



- 1 LED lighting system / Système d'éclairage LED
- 2 TC-200 internal filter / Filtre Interne TC-200
- 3 Fixing bracket / Support de Fixation
- 4 Suction Cups / Ventouses

